

## QLab Analog Ovens



### FEATURING

**Top Quality And Easy to use | Air Forced OR Gravity Convection | Durable Double-wall Construction | Scratch-resistant Hammer Finish | Corrosion-resistant Aluminized Interior | 12-month Warranty | Proven Reliability**

#### Advanced Design

Cabinets are as attractive as they are durable. Exteriors are painted light gray and have a hard, scratch-resistant hammer finish. Doors open with high-impact thermoplastic handles. Cabinets have heavy steel double-wall construction. Work space is insulated from the outer cabinet with one inch of high-density mineral wool, and interiors are made of corrosion-resistant aluminized steel.

#### Controls

QLab uses quality UL and CSA recognized components in all ovens. The control panel is equipped with

an illuminated ON/OFF rocker switch and a heat-cycle pilot light. Temperature is controlled by automatic hydraulic or a bimetal thermostat (models 10GC & 10AF). Hydraulic models offer convenient temperature dial markings in both centigrade and Fahrenheit.

#### Heating Elements

Energy-efficient, low-watt density, incoloy sheathed elements are engineered into a compact design for quick run-up and recovery times. Temperature uniformity is greatly improved by a perforated heat shield which absorbs radiant heat and distributes it more evenly throughout the product chamber.

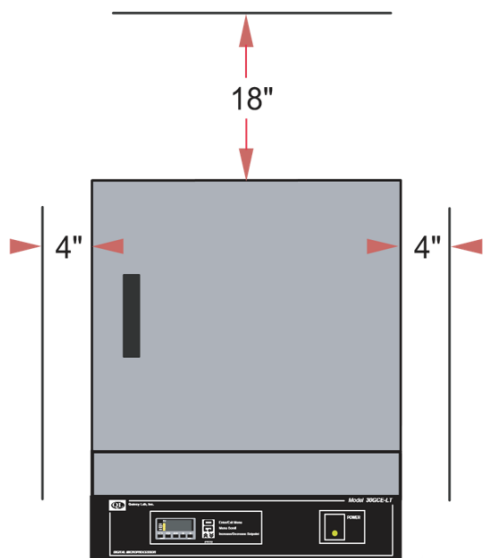
#### GC and AF Models

QLab uses only quality UL and CSA recognized components in all ovens. The ovens are designed to meet the laboratory needs of industry, research organizations, and schools. Well-crafted and versatile, they are used for part drying, baking, curing, sterilizing, evaporating, heat treating, annealing, and testing. AF models offer forced-air circulation allowing for uniform distribution of heat throughout the chamber, which also facilitates dehydration and evaporating. The GC and AF series ovens have temperature range to 232°C maximum, and are competitively priced and offer exceptional value and reliability.

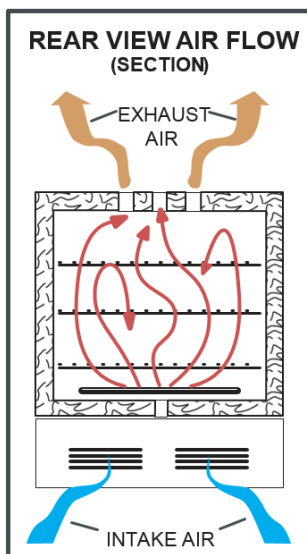
**QLab is an AMERICAN Manufacturer of laboratory ovens and incubators for more than 40 years.**

GENERAL SPECIFICATIONS	QLab 10GC	QLab 20GC	QLab 30GC	QLab 40GC	QLab 10AF	QLab 20AF	QLab 30AF	QLab 40AF	
<b>INTERIOR DIMENSIONS</b> (CM) W x H x D	30x25.4 x25.4	33x33 x33	45.7x39.6 x30.5	45.7x55.4 x35.6	30.5x21 x25.4	33x28 x33	45.7x36 x30.5	45.7x50.3 x35.6	
<b>CAPACITY</b> [liters]	19.8	36	56.6	85	17	32.3	51.8	81	
<b>EXTERIOR DIMENSIONS</b> (CM) W x H x D	35.6x44.5 x31.2	38x54.6 x38.9	50.8x64.8 x36.2	50.8x80 x41.4	35.6x52 x31.2	38x63.5 x38.9	50.8x73.7 x36.2	50.8x89 x41.4	
<b>TEMPERATURE RANGE</b>	To 232C								
<b>Air Circulation</b>	Natural Convection				Fan Forced convection				
<b>Maximum Shelves</b>	10	13	16	22	8	11	14	20	
<b>Maximum Shelf Load kg</b>	19								
<b>Electrical Power [230V]</b>	600	750	1200	1500	800	1050	1500	1500	
<b>WEIGHT</b> Kg	SHIPPING	24	32	43	51	29	37	47	55
	ALONE	18	25	32	41	21	33	36	45

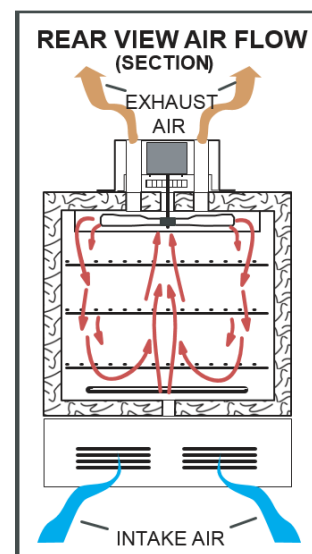
**MINIMUM CLEARANCES**



**GC MODEL AIR FLOW**



**AF MODEL AIR FLOW**



AMERICAN Manufacturer of laboratory ovens and incubators for more than 40 years.